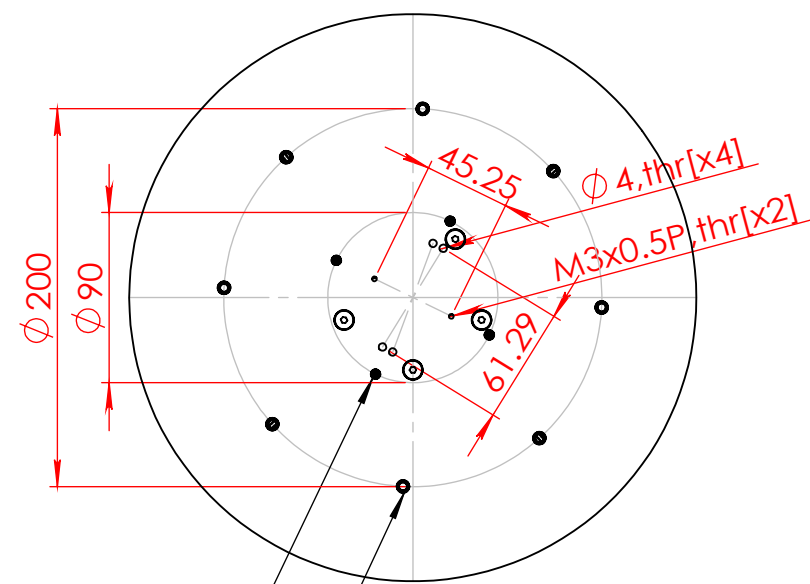
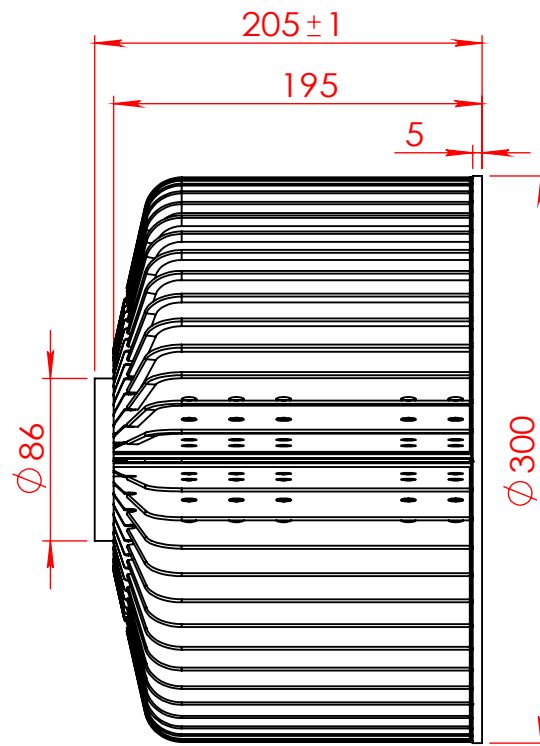


M5x0.8P-16L[x5]




NUT\_M3x0.5P[x4]

NUT\_M5x0.8P[x8]

**Note:**

1. Silver color
2. seven heatpipes are used
3. suit Citizen COB CLU550-3626C1
4. part no.: AT-SRD0S000LB0001

 <b>GlacialTech INC</b>		MET.SPEC.	UNSPECIFIED TOL'S	MODEL NO:
		AL1100+ CU1100	0.5~6 ±0.20 6~30 ±0.50 30~315 ±0.80	SR400HP-3S
APPROVED BY		2018/3/15	DRAWING NAME	
CHECKED BY		2018/3/15	SR400HP-3S heatsink	
DESIGN BY		2018/3/15	DRAWING NO.	REV
DRAWN BY		2018/3/15	RH01a61	1
			SHEET	1/1

MARK	DESCRIPTION	DATE	APPROVED
2			
1			
REVISION			